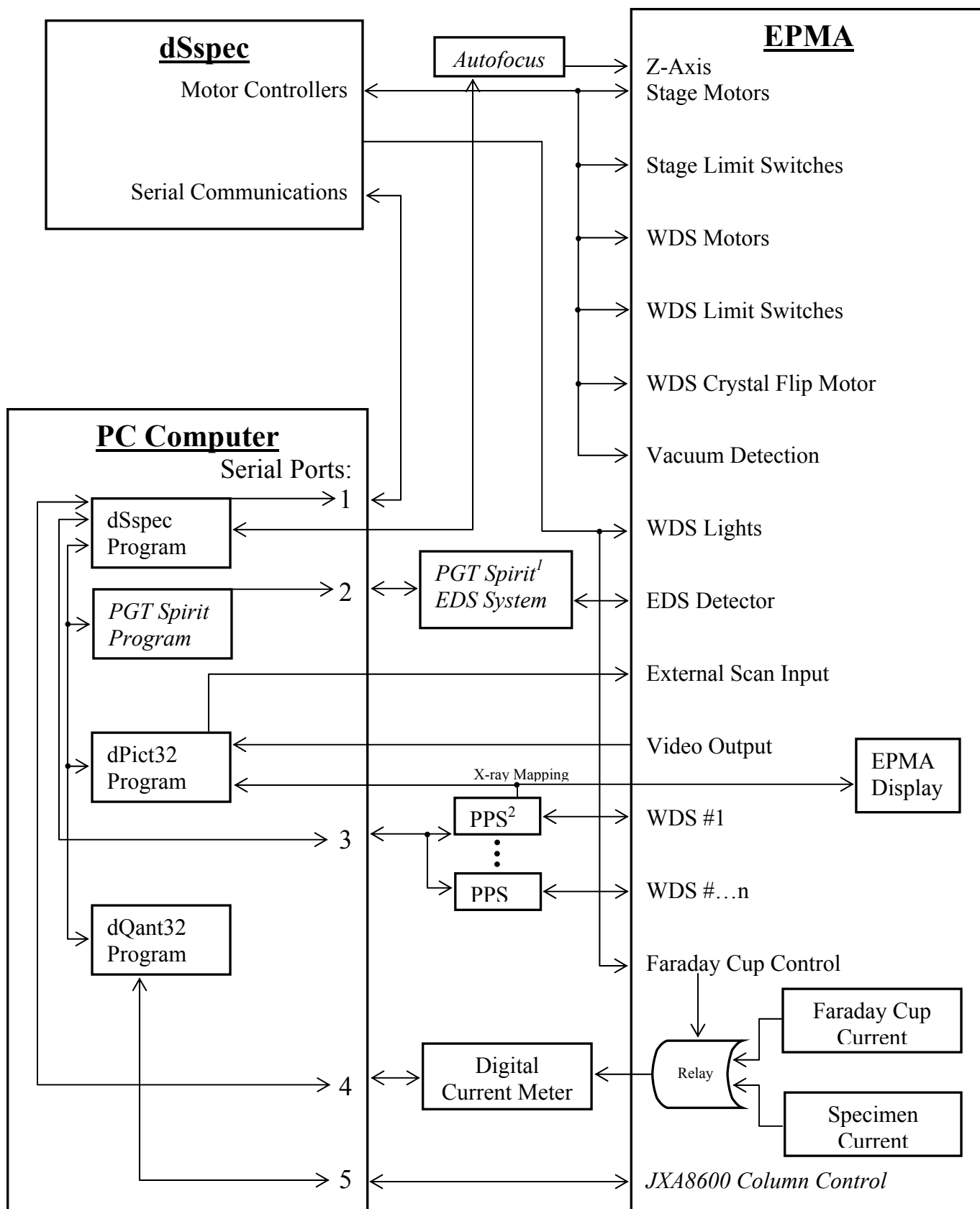


Geller MicroAnalytical Laboratory
dSspec EPMA Automation System

December, 2002



1. For most EDS Detectors. Bias supply, pre-amp, amp and pulse-height analyzer.

2. Pulse Processing System. WDS detector bias supply, preamplifier, amplifier and SCA.

Note: *Italicized items are optional.*